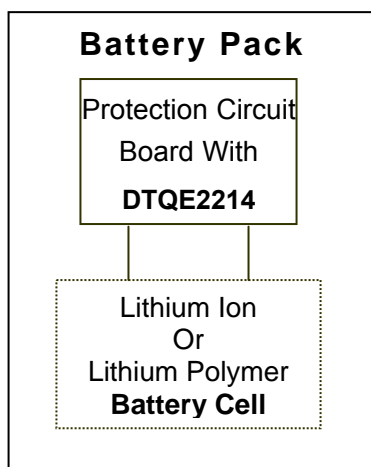


One-Cell Li Battery Protectors

General Description

The DTQE2214-XXXX Series are protectors for lithium-ion and lithium polymer rechargeable battery with high accuracy voltage detection. They can be used for protecting single cell lithium-ion or/and lithium polymer battery packs from overcharge, over-discharge, excess current and short circuit. These ICs have suitable protection delay functions and low power consumption property.

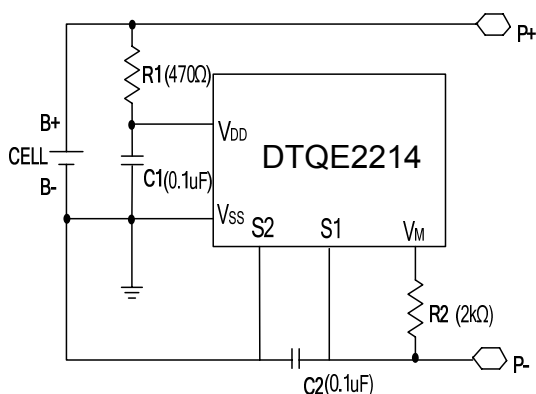
Applications



Features

- **Overcharge Threshold**
 - 4.200~4.400V
 - Accuracy $\pm 25\text{mV}$ (25°C)
 $\pm 50\text{mV}$ (-30°C~80°C)
- **Over-discharge Threshold**
 - 2.20V~3.00V
 - Accuracy $\pm 10\text{mV}$
- **Excess Current Protection Threshold**
 - 0.05V~0.150V @ $V_{DD} = 3.30\text{V}$
 - Accuracy $\pm 0.015\text{V}$
- **Short Circuit Protection Threshold**
 - Typ. 0.80V @ $V_{DD} = 3.30\text{V}$
 - Accuracy $\pm 0.15\text{V}$
- **Low Supply Current**
 - Typ. 3.1uA @ $V_{DD} = 3.9\text{V}$
(Standard working current)
 - Typ. 0.1uA @ $V_{DD} = 2.0\text{V}$
(Without auto wake up)
 - Typ. 1.2uA @ $V_{DD} = 2.0\text{V}$
(With auto wake up)
- **Small Package**
 - DFNWB2.2*2.9-6L

Typical Application Circuits



Notes

R_1 and C_1 are to stabilize the supply voltage of the DTQE2214 series. R_1 C_1 is hence regarded as the time constant for V_{DD} pin. R_1 and R_2 can also be a part of current limit circuit for the DTQE2214 series.

Recommended values of these elements are as follows:

- $R_1 < 1\text{K}\Omega$. A larger value of R_1 results in higher detection voltage, introducing errors.
- $R_2 < 3\text{K}\Omega$. A larger value of R_2 possibly prevents resetting from over-discharge even with a charger.
- $R_1 + R_2 > 1\text{K}\Omega$. Smaller values may lead to power consumption over the maximum dissipation rating of the DTQE2214 series.

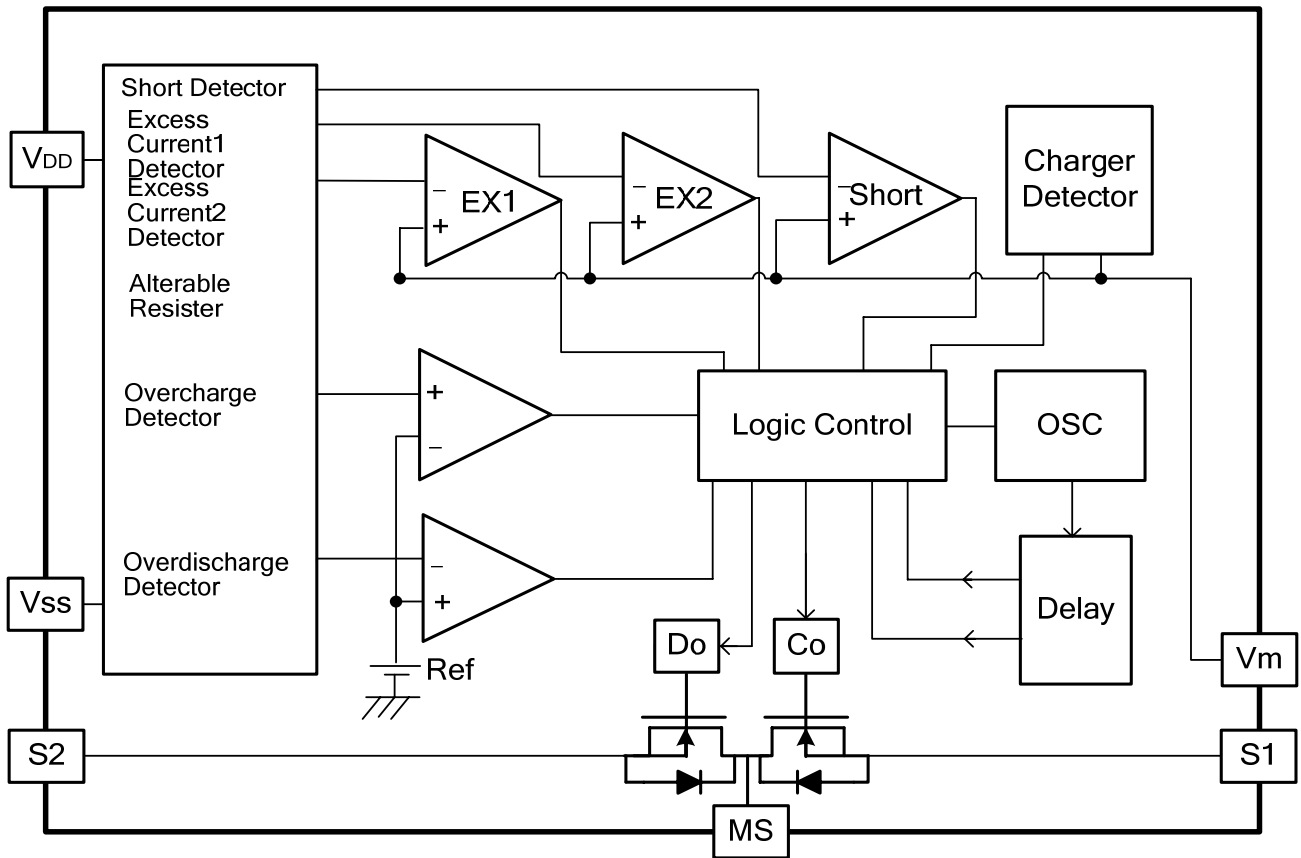
Table 1. The detail of delay time combination (@ 25°C)

Delay time combination	Output Delay Of Overcharge Tvdet1	Abnormal Charge Delay Time Tab	Output Delay Of Over-discharge Tvdet2	Output Delay Of Excess Current 1 Tvdet3
(1)	30~90ms Typ:66ms	5~15ms Typ:10ms	36~108ms Typ:75ms	5~15ms Typ:7.8ms

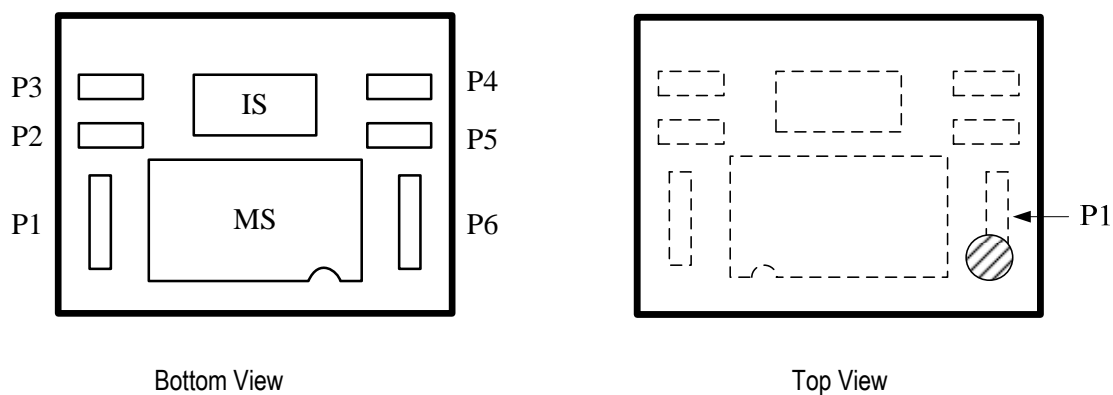
Table 2. The detail of delay time combination (@ -30°C~80°C)

Delay time combination	Output Delay Of Overcharge Tvdet1	Abnormal Charge Delay Time Tab	Output Delay Of Over-discharge Tvdet2	Output Delay Of Excess Current 1 Tvdet3
(1)'	25~100ms Typ:66ms	3~18ms Typ:10ms	30~120ms Typ:75ms	3~18ms Typ:7.8ms

Block Diagram



Pin Description



Pin	Symbol	Description
P1	S2	The source terminal of MOSFET switch for Over-discharge control
P2	VSS	Ground
P3	VDD	Power supply
P4	NC	No Connection
P5	VM	Connected to charger's negative pin
P6	S1	The source terminal of MOSFET switch for Overcharge control
P7	IS	The substrate of IC, IS should be floating
P8	MS	The common drain terminal of MOS, MS should be floating

Function Description

Normal Condition:

V_{DD} is between the Over-discharge Detection Threshold (V_{det2}) and Overcharge Detection Threshold (V_{det1}) and the V_M pad voltage is between Charger Detection Voltage (V_{cha}) and the Excess Current 1 Threshold Voltage (V_{det3}), therefore the MOS-FET of charge and discharge are all on. Charging and discharging can be carried out freely.

Overcharge Condition:

When V_{DD} increases and passes V_{det1} during charging under the normal condition, the changing control FET turns off after Overcharge Detection Delay Time (T_{vdet1}).

If, within T_{vdet1} , V_{DD} becomes lower than V_{det1} and stays for duration shorter than Overcharge Reset Delay Time (T_{reset}) before rising up over V_{det1} again, this type of instantaneous falling of V_{DD} is ignored. Otherwise, if the time V_{DD} stays lower than V_{det1} is longer than T_{reset} , the timing related to T_{vdet1} shall be reset.

Abnormal Charge Current Condition:

If the V_M pin voltage falls below the Charger Detection Voltage (V_{cha}) during charging under normal condition and it continues for the Abnormal Charge Current Delay Time (T_{ab}) or longer, the charging control FET turns off and charging stops. This action is called the abnormal charge current detection.

Abnormal charge current detection works when the discharging control FET is on and the V_M pin voltage falls below the Charger Detection Voltage (V_{cha}). To an over-discharged battery, only when charging makes the battery voltage higher than the Over-discharge Detection Threshold (VDT), the Abnormal Charge Current Detection can act. Abnormal charge current state is released, once the voltage difference between V_M pin and V_{SS} pin becomes less than the Abnormal Charge Current Detection Threshold Voltage (V_{AB}) value.

Overcharge Protection Release Condition:

The charging state can be reset and changing control FET will turn on when V_{DD} becomes lower than the Overcharge Release Voltage (V_{rel1}) and stays longer than Overcharge Release Delay Time (T_{vrel1}).

When a load is connected to V_{DD} after a charger is disconnected from the battery pack, while the V_{DD} level is lower than V_{det1} , the changing control FET turns on.

Over-discharge Condition:

While discharging, after V_{DD} lowers below Over-discharge Detection Threshold (V_{det2}), the discharging control FET turns off after Over-discharge Detection Delay Time (T_{vdet2}), discharging is stopped.

Over-discharge Protection Release Condition:

When IC is in over-discharge condition, if a charger is connected to the battery pack, and the battery supply voltage becomes higher than V_{det2} , the discharging control FET turns on, allowing discharging action.

The discharging state also can be reset and the discharging control FET turns on when V_{DD} becomes higher than the Over-discharge Release Voltage (V_{rel2}), and stays longer than Release Delay Time (T_{vrel1}).

When a charger is connected from the battery pack, while the V_{DD} level is lower than V_{det2} , the battery pack makes charger current allowable through the external diode.

Charger Detect Condition:

When a battery in the over-discharge condition is connected to a charger and provided that the V_M pin voltage is lower than the Charger Detection Voltage (V_{cha}), IC releases the over-discharge condition and turns on the discharging control FET as the battery voltage becomes higher than the Over-discharge Detection Voltage (V_{det2}) since the charger detection function works. This action is called charger detection.

When a battery in the over-discharge condition is connected to a charger and provided that the V_M pin voltage is between the Charger Detection Voltage (V_{cha}) and Excess Current 1 Threshold Voltage (V_{det3}), IC releases the over-discharge condition when the battery voltage reaches the Over-discharge Release Voltage (V_{rel2}) or higher.

Excess Current 1 Protection:

During discharging, the current varies with load, and V_M increases with the rise of the discharging current. Once V_M rises up to the Excess Current 1 Threshold Voltage (V_{det3}) or higher and stays longer than the Excess Current 1 Delay Time (T_{vdet3}), IC will turn off the discharging control FET. After that excess current state is removed, i.e. $V_M < V_{det3}$, and the circuit recovers to normal condition.

Detection Threshold (V_{det2}), the IC enters the normal condition.

Excess Current 2 Protection:

During discharging, the current varies with load, and V_M increases with the rise of the discharging current. Once V_M rises up to Excess Current 2 Threshold Voltage (V_{det4}) or higher, and stays longer than Excess Current 2 Delay Time (T_{vdet4}), IC will turn off the discharging control FET. After that excess current state is removed, i.e. $V_M < V_{det3}$, and the circuit recovers to normal condition.

Short Circuit Protection:

This function has the same principle as the excess current protection. But, the delay time T_{short} is far shorter than T_{vdet3} and T_{vdet4} , and the threshold V_{short} is far higher than V_{det3} and V_{det4} . When the circuit is shorted, V_M increases rapidly. Once $V_M \geq V_{short}$, IC will turn off the discharging control FET. After the short circuit state is removed, i.e. $V_M < V_{det3}$, the circuit recovers to the normal condition. The short circuit peak current is related to V_{short} and the ON resistance of the two FETs in series.

0V battery charge function

This function is used to recharge the connected battery whose voltage is 0V due to the self-discharge. When the 0 V battery charge starting charger voltage (V_{0cha}) or higher is applied between P+ and P- pins (in the Typical Application Circuits of Page1) by connecting a charger, the charging control FET gate is fixed to V_{DD} pin voltage. When the voltage between the gate and source of the charging control FET becomes equal to or higher than the turn-on voltage by the charger voltage, the charging control FET turns on to start charging. At this time, the discharging control FET is off and the charging current flows through the internal parasitic diode in the discharging control FET. When the battery voltage becomes equal to or higher than the Over-discharge

Electrical Characteristics ^{1*} (25°C)

(T_{OPT}=25°C unless otherwise specified)

Symbol	Item	Conditions	Min.	TYP.	Max.	Unit
DETECTION VOLTAGE AND DELAY TIME						
Vdet1 ^{2*}	Overcharge Threshold 4.200~4.400V, Step 5mV	25°C	Vdet1 - 0.025	Vdet1	Vdet1 + 0.025	V
Vrel1 ^{3*}	Release Voltage For Overcharge Detection Vhc ^{4*} =0.1V~0.3V		VDET1 -1.3Vhc	VDET1-Vhc	VDET1 -0.7Vhc	V
Vdet2 ^{2*}	Over-discharge Threshold 2.2~2.4V	Detect falling edge of supply voltage	Vdet2 - 0.075	Vdet2	Vdet2 + 0.075	V
Vrel2 ^{3*}	Release Voltage For Over-discharge Detection Vhd ^{4*} =0.1V~0.3V		VDET2+0.7Vhd	VDET2+Vhd	VDET2+1.3Vhd	V
Vdet3 ^{2*}	Excess Current 1 Threshold	V _{DD} = 3.30V	Vdet3-0.015	Vdet3	Vdet3+0.015	V
Vdet4	Excess Current 2 Threshold	V _{DD} = 3.30V	0.35	0.40	0.45	V
Vshort	Short Protection Voltage	V _{DD} = 3.30V	0.65	0.80	0.95	V
Vcha	Charger Detection		Vcha-0.03	Vcha	Vcha+0.03	V
V0cha	0V Battery Charge Starting Charger Voltage	Applied for 0V battery charge function	1.2			V
Tvrel1	Overcharge ReleaseDelay Time	V _{DD} = 4.4V→4.0V	8	25	40	ms
Treset	Overcharge Reset Delay Time	V _{DD} = 4.4V→4.0V→4.4V	5	23	38	ms
Tvrel2	Over-discharge Release Delay Time	V _{DD} = 2.0V→3.0V, V _M = 0V	1.1	2.2	3.3	ms
Tvdet4	Output Delay Of Excess Current 2	V _{DD} = 3.30V	0.6	1.1	1.6	ms
Tshort	Output Delay Of Short Protection	V _{DD} = 3.30V	70	140	210	us
OUTPUT VOLTAGE AND V_M INTERNAL RESISTANCE						
R _{VMD}	Resistance between V _M and V _{DD}	V _{DD} =2.0V, V _M =0V	100	300	900	kΩ
R _{VMS}	Resistance between V _M and V _{SS}	V _{DD} =3.3V, V _M =1V	60	130	300	kΩ
OPERATION VOLTAGE AND CURRENT CONSUMPTION						
V _{DD}	Operating Input Voltage	V _{DD} -V _{SS}	1.6	V _{DD}	8.0	V
V _M	Operating Input Voltage	V _{DD} -V _M	1.5	--	28	V
I _{DD}	Supply Current	V _{DD} = 3.9V, V _M = 0V		3.1	5.5	uA
I _{STANDBY}	Standby Current (for products without Auto wake up)	V _{DD} = 2.0V, V _M = 0V→2.0V		0.1	0.7	uA
I _{STANDBY}	Standby Current(for products with Auto wake up)	V _{DD} = 2.0V, V _M = 0V→2.0V		1.2	4.5	uA

1* The Electrical parameters for this temperature range is guaranteed by design, not tested in production.

2* See "Selection Guide" section.

3* VDET1 and VDET2 are the Overcharge and Over-discharge threshold voltage of actual testing.

4* Vhc and Vhd are the Overcharge and Over-discharge hysteresis voltage.

Electrical Characteristics ^{1*} (-30°C~80°C)

(T_{OPT}=-30°C~80°C unless otherwise specified)

Symbol	Item	Conditions	Min.	TYP.	Max.	Unit
DETECTION VOLTAGE AND DELAY TIME						
Vdet1 ^{2*}	Overcharge Threshold 4.200~4.400V, Step 5mV	-30~80°C	Vdet1 - 0.050	Vdet1	Vdet1 + 0.050	V
Vrel1 ^{3*}	Release Voltage For Overcharge Detection Vhc ^{4*} =0.1V~0.3V		VDET1 -1.4Vhc	VDET1-Vhc	VDET1 - 0.6Vhc	V
Vdet2 ^{2*}	Over-discharge Threshold 2.2~2.4V	Detect falling edge of supply voltage	Vdet2 - 0.1	Vdet2	Vdet2 + 0.1	V
Vrel2 ^{3*}	Release VoltageForOver-discharge Detection Vhd ^{4*} =0.1V~0.3V		VDET2 +0.6Vhd	VDET2+Vhd	VDET2 + 1.4Vhd	V
Vdet3	Excess Current 1 Threshold	V _{DD} = 3.30V	Vdet3-0.020	Vdet3	Vdet3+0.020	V
Vdet4	Excess Current 2 Threshold	V _{DD} = 3.30V	0.27	0.40	0.53	V
Vshort	Short Protection Voltage	V _{DD} = 3.30V	0.50	0.80	1.30	V
Vcha	Charger Detection		Vcha-0.04	Vcha	Vcha+0.04	V
V0cha	0V battery Charge Starting Charger Voltage	Applied for 0V battery charge function	1.2			V
Tvrel1	Overcharge ReleaseDelay Time	V _{DD} = 4.4V→4.0V	5	25	42	ms
Treset	Overcharge Reset Delay Time	V _{DD} = 4.4V→4.0V→4.4V	3	23	40	ms
Tvrel2	Over-discharge Release Delay Time	V _{DD} = 2.0V→3.0V, V _M = 0V	0.9	2.2	3.6	ms
Tvdet4	Output Delay Of Excess Current 2	V _{DD} = 3.30V	0.45	1.1	1.8	ms
Tshort	Output Delay Of Short Protection	V _{DD} = 3.30V	55	140	230	us
OUTPUT VOLTAGE AND V_M INTERNAL RESISTANCE						
R _{VMD}	Resistance Between V _M And V _{DD}	V _{DD} =2.0V, V _M =0V	78	300	1310	kΩ
R _{VMS}	Resistance Between V _M And V _{SS}	V _{DD} =3.3V, V _M =1V	40	130	400	kΩ
OPERRATION VOLTAGE AND CURRENT CONSUMPTION						
V _{DD}	Operating Input Voltage	V _{DD} -V _{SS}	1.6	V _{DD}	8.0	V
V _M	Operating Input Voltage	V _{DD} -V _M	1.5	--	28	V
I _{DD}	Supply Current	V _{DD} = 3.9V, V _M = 0V		3.1	6.0	uA
I _{STANDBY}	Standby Current (for products with power-down function)	V _{DD} = 2.0V, V _M = 0V→2.0V		0.1	1.0	uA
I _{STANDBY}	Standby Current (for products without power-down function)	V _{DD} = 2.0V		1.2	5.0	uA

1* The Electrical parameters for this temperature range is guaranteed by design, not tested in production.

2* See "Selection Guide" section.

3* VDET1 and VDET2 are the overcharge and over-discharge threshold voltage of actual testing.

4* Vhc and Vhd are the Overcharge and Over-discharge hysteresis voltage.

Absolute Maximum Ratings($T_a= 25\text{ }^\circ\text{C}$, $V_{SS}=0\text{ V}$)

Symbol	Item	Ratings	Unit
V_{DD}	Supply Voltage	-0.3 to 8	V
V_M	V_M Pin Input Voltage	$V_{DD} -28$ to $V_{DD}+0.3$	V
P_d	Power Dissipation	150	mW
T_{opt}	Operating Temperature Range	-30 to 80	$^\circ\text{C}$
T_{stg}	Storage Temperature Range	-55 to 125	$^\circ\text{C}$

Caution: These values must not be exceeded under any conditions!

Electrical Characteristics ^{1*} (25 $^\circ\text{C}$, GND=0V unless otherwise specified)

Parameter	Symbol	Min	Typ	Max	Unit	Notes
Drain current at cut off of MOS-FET	I_{DSS}	-	-	1.0	μA	$V_{ds}=20\text{V}$
Source -source on state resistance 1	$R_{DS(on)1}$	-	22	25	$\text{m}\Omega$	$V_{dd}=3.8\text{V}$ $I_D=1.0\text{A}$
Body Diode-Forward Voltage	V_{SD}	0.6	0.73	1.2	V	$I_S=6.0\text{A}$, $V_{GS}=0\text{V}$

Test Circuits

(1) Overcharge detection voltage and overcharge release voltage

Test circuit 1

The Overcharge Detection Voltage (V_{det1}) is the voltage between V_{DD} and V_{SS} to which when V_1 increases and keeps the condition for overcharge delay time, The charging control FET turns off, V_{S1} is the threshold of a diode, The Overcharge Release Voltage (V_{rel1}) is the voltage between V_{DD} and V_{SS} to which when V_1 decreases, The charging control FET turns on, $V_{S1}=0V$.

(2) Over-discharge detection voltage and over-discharge release voltage

Test circuit 1

The Over-discharge Detection Voltage (V_{det2}) is the voltage between V_{DD} and V_{SS} to which when V_1 decreases and keep the condition for over-discharge delay time, The discharging control FET turns off, $V_{S1}=V_1$. The over-discharge Release Voltage (V_{rel2}) is the voltage between V_{DD} and V_{SS} to which when V_1 increases, The discharging control FET turns on, $V_{S1}=0V$.

(3) Over current detection voltage and short circuit detection voltage

Test circuit 2

The Excess Current 1 Detection Voltage (V_{det3}) is the voltage between V_M and V_{SS} to which when V_M increases within 10 us and keep the condition for Excess Current 1 Delay Time (T_{vdet3}), The discharging control FET turns off, $V_{S1}=V_1$.

The Excess Current 2 Detection Voltage (V_{det4}) is the voltage between V_M and V_{SS} to which when V_M increases within 10 us and keep the condition for Excess Current 2 Delay Time (T_{vdet4}), The discharging control FET turns off, $V_{S1}=V_1$.

The Short Circuit Detection Voltage (V_{short}) is the voltage between V_M and V_{SS} to which when V_M increases within 10us and keep the condition for Short Circuit Delay Time (T_{short}), The discharging control FET turns off, $V_{S1}=V_1$.

(4) Charger detection voltage and abnormal charge current detection voltage

Test circuit 2

In the over-discharge condition, increase V_1 gradually until it is between V_{det2} and V_{rel2} . The voltage between V_M and V_{SS} to which when V_2 decreases, The discharging control FET turns on, $V_{S1}=0V$, is the Charger Detection Voltage (V_{cha}).

In the normal charging condition, the voltage between V_M and V_{SS} to which when V_2 decreases, The charging control FET turns off, V_{S1} is the threshold of a diode, is the abnormal charge current detection voltage. It has the same value as the Charger Detection Voltage (V_{cha}).

(5) 0V battery charge starting charger voltage

Test circuit 2

Set $V_1=V_2=0V$ and decrease V_2 gradually. The voltage between V_{DD} and V_M when the charging control FET turns on, V_{S1} is the threshold of a diode, is the 0V battery charge starting charger voltage.

(6) Normal operation current consumption and power down current consumption

Test circuit 2

Set $V_1=3.5V$ and $V_2=0V$ under normal condition, the current I_{DD} flowing through V_{DD} pin is the normal operation consumption current (I_{DD}).

Set $V_1=3.5V$ and $V_2=0V$, let IC work in normal condition, set V_1 from 3.5V to 2.0V, then set $V_2=2.0V$ under over-discharge condition, the current I_{DD} flowing through V_{DD} pin is the power down current consumption ($I_{STANDBY}$).

(7) Overcharge detection (release) delay time and over-discharge detection (release) delay time

Test circuit 3

If V_1 increases to be V_{det1} or over V_{det1} and keeps the condition for some time, the charging control FET will turn off, V_{S1} is the threshold of a diode, The time is called overcharge detection delay time. It is used to judge whether overcharge happens indeed.

If V_1 decreases from V_{det1} or over V_{det1} to below V_{rel1} , the charging control FET will turn on, $V_{S1}=0V$. The difference between this time and T_{reset} is called overcharge release delay time.

If V_1 decreases to be V_{det2} or below V_{det2} and keeps the condition for some time, the discharging control FET will turn off, $V_{S1}=V_1$. The time is called over-discharge detection delay time. It is used to judge whether over-discharge happens indeed.

If V_1 increases from V_{det2} or below V_{det2} to over V_{rel2} and keeps the condition for some time, the discharging control FET will turn on, $V_{S1}=0V$. The time is called over-discharge release delay time.

(8) Over current detection delay time and short circuit detection delay time

Test circuit 4

If V_2 increases to be V_{det3} or over V_{det3} and keeps the condition for some time, the discharging control FET will turn off, $V_{S1}=V_1$. The time is called over current 1 delay time. It is used to judge whether over current 1 happens indeed.

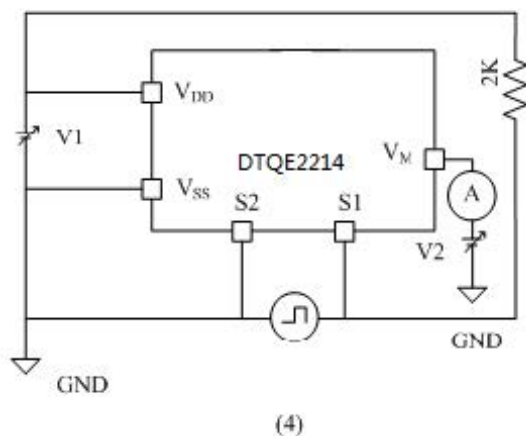
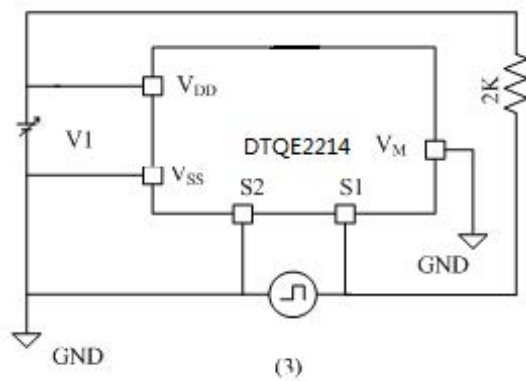
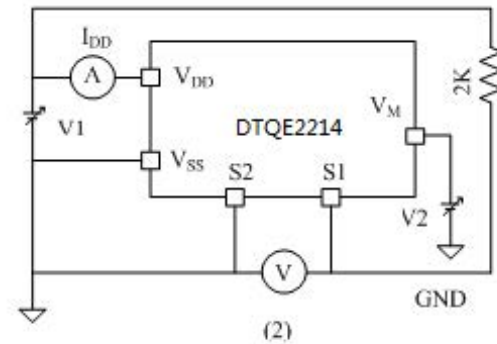
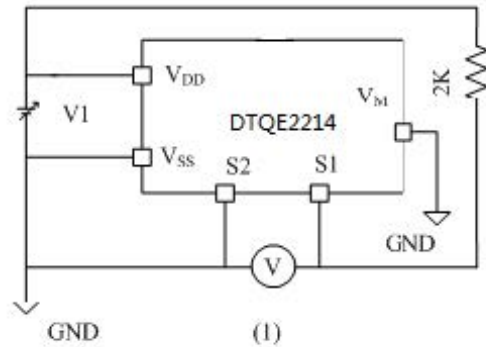
If V_2 increases to be V_{det4} or over V_{det4} and keeps the condition for some time, the discharging control FET will turn off, $V_{S1}=V_1$. The time is called over current 2 delay time. It is used to judge whether over current 2 happens indeed.

If V_2 increases to be V_{short} or over V_{short} and keeps the condition for some time, the discharging control FET will turn off, $V_{S1}=V_1$. The time is called short circuit delay time. It is used to judge whether short circuit happens indeed.

(9) Internal resistance V_M-V_{DD} and V_M-V_{SS}

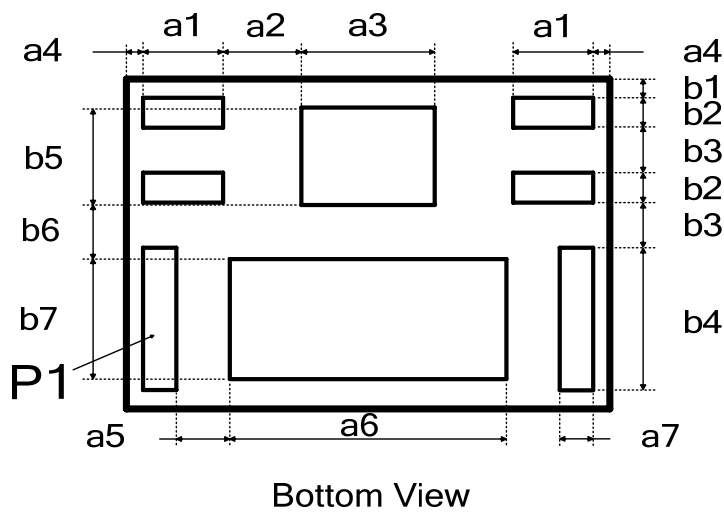
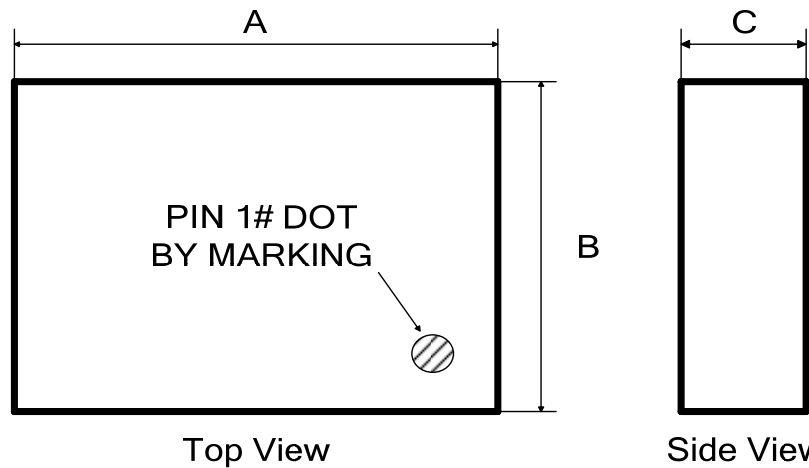
Test circuit 4

Set $V_1=2.0V$, $V_2=0V$, V_1/I_{VM} is the internal resistance R_{VMD} .
Set $V_1=3.3V$, $V_2=1V$, V_2/I_{VM} is the internal resistance R_{VMS} .



Package Outline

DFNWB 2.2*2.9

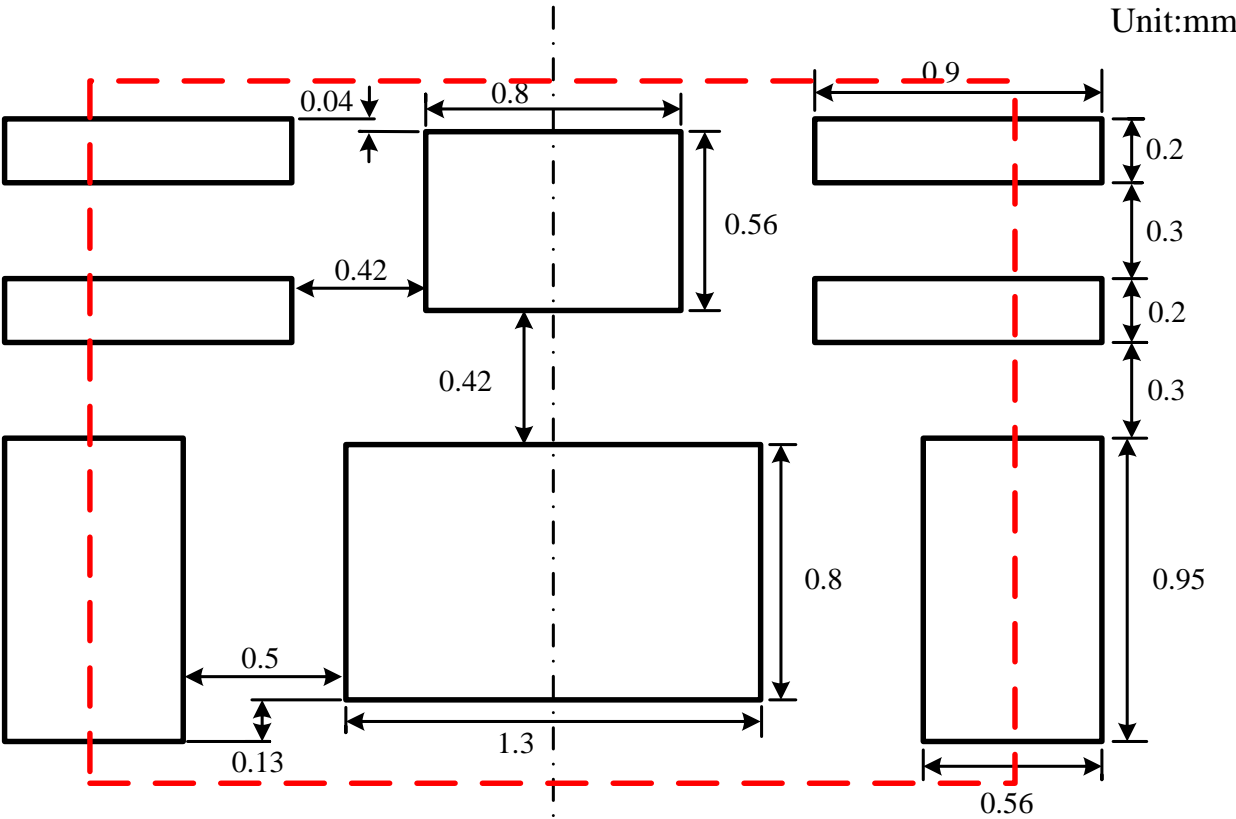


Unit:mm

Dimensions (mm)

A	a1	a2	a3	a4	a5	a6	a7	B	b1	b2	b3	b4	b5	b6	b7	C
2.95	0.53	0.52	0.85	0.15	0.35	1.75	0.25	2.25	0.18	0.25	0.35	1	0.59	0.53	0.85	0.8
2.85	0.43	0.42	0.75	0.05	0.25	1.65	0.15	2.15	0.08	0.15	0.25	0.9	0.49	0.43	0.75	0.7

PCB Layout



Disclaimer

ALL PRODUCT, PRODUCT SPECIFICATIONS AND DATA ARE SUBJECT TO CHANGE WITHOUT NOTICE TO IMPROVE RELIABILITY, FUNCTION OR DESIGN OR OTHERWISE.

Din-Tek Intertechnology, Inc., its affiliates, agents, and employees, and all persons acting on its or their behalf (collectively, "Din-Tek"), disclaim any and all liability for any errors, inaccuracies or incompleteness contained in any datasheet or in any other disclosure relating to any product.

Din-Tek makes no warranty, representation or guarantee regarding the suitability of the products for any particular purpose or the continuing production of any product. To the maximum extent permitted by applicable law, Din-Tek disclaims (i) any and all liability arising out of the application or use of any product, (ii) any and all liability, including without limitation special, consequential or incidental damages, and (iii) any and all implied warranties, including warranties of fitness for particular purpose, non-infringement and merchantability.

Statements regarding the suitability of products for certain types of applications are based on Din-Tek's knowledge of typical requirements that are often placed on Din-Tek products in generic applications. Such statements are not binding statements about the suitability of products for a particular application. It is the customer's responsibility to validate that a particular product with the properties described in the product specification is suitable for use in a particular application. Parameters provided in datasheets and/or specifications may vary in different applications and performance may vary over time. All operating parameters, including typical parameters, must be validated for each customer application by the customer's technical experts. Product specifications do not expand or otherwise modify Din-Tek's terms and conditions of purchase, including but not limited to the warranty expressed therein.

Except as expressly indicated in writing, Din-Tek products are not designed for use in medical, life-saving, or life-sustaining applications or for any other application in which the failure of the Din-Tek product could result in personal injury or death. Customers using or selling Din-Tek products not expressly indicated for use in such applications do so at their own risk. Please contact authorized Din-Tek personnel to obtain written terms and conditions regarding products designed for such applications.

No license, express or implied, by estoppel or otherwise, to any intellectual property rights is granted by this document or by any conduct of Din-Tek. Product names and markings noted herein may be trademarks of their respective owners.

Material Category Policy

Din-Tek Intertechnology, Inc. hereby certifies that all its products that are identified as RoHS-Compliant fulfill the definitions and restrictions defined under Directive 2011/65/EU of The European Parliament and of the Council of June 8, 2011 on the restriction of the use of certain hazardous substances in electrical and electronic equipment (EEE) - recast, unless otherwise specified as non-compliant.

Please note that some Din-Tek documentation may still make reference to RoHS Directive 2002/95/EC. We confirm that all the products identified as being compliant to Directive 2002/95/EC conform to Directive 2011/65/EU.

Din-Tek Intertechnology, Inc. hereby certifies that all its products that are identified as Halogen-Free follow Halogen-Free requirements as per JEDEC JS709A standards. Please note that some Din-Tek documentation may still make reference to the IEC 61249-2-21 definition. We confirm that all the products identified as being compliant to IEC 61249-2-21 conform to JEDEC JS709A standards.