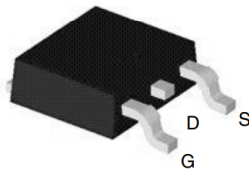
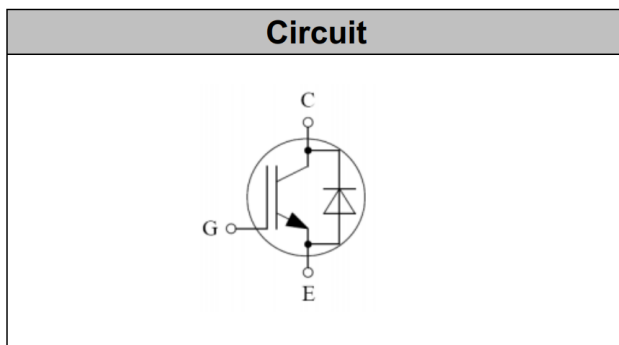


TO-252 Pin Configuration



Top View



IGBT Discrete

V_{CE}	600	V
$I_C(T_C=100^\circ\text{C})$	10	A
$V_{CE(SAT)} I_C=10\text{ A}$	1.8	V

Applications

- Inverter for motor drive
- AC and DC servo drive amplifier
- Uninterruptible power supply

Features

- High breakdown voltage to 600V for improved reliability
- Maximum junction temperature 150°C
- Positive temperature coefficient
- Including fast & soft recovery anti-parallel FWD
- High short circuit capability(10us)

Maximum Ratings

Parameter	Symbol	Value	Unit
Collector-Emitter Breakdown Voltage	V_{CE}	600	V
DC Collector Current, limited by T_{jmax} $T_C=25^\circ\text{C}$ $T_C=100^\circ\text{C}$	I_C	20 10	A
Diode Forward Current, limited by T_{jmax} $T_C=25^\circ\text{C}$ $T_C=100^\circ\text{C}$	I_F	20 10	A
Continuous Gate-Emitter Voltage	V_{GE}	± 25	V
Pulsed Collector Current, $V_{GE}=15\text{V}$, t_p limited by T_{jmax}	I_{CM}	30	A
Power Dissipation , $T_c=25^\circ\text{C}$	P_{tot}	82	W
Operating Junction Temperature	T_j	-55...+150	°C
Storage Temperature	T_s	-55...+150	°C
Soldering Temperature, wave soldering 1.6mm(0.063in.) from case for 10s		300	°C

Thermal Resistance

Parameter	Symbol	Max. Value	Unit
IGBT Thermal Resistance, Junction - Case	$R_{th(j-c)}$	1.52	K/W
Diode Thermal Resistance, Junction - Case	$R_{th(j-c)}$	2.16	K/W
Thermal Resistance, Junction - Ambient	$R_{th(j-a)}$	65	K/W

Electrical Characteristics of the IGBT ($T_j = 25^\circ\text{C}$ unless otherwise specified):

Parameter	Symbol	Conditions	Min.	Typ.	Max.	Unit
Collector-Emitter Breakdown Voltage	BV_{CES}	$V_{GE}=0V, I_C=250\mu A$	600	-	-	V
Gate Threshold Voltage	$V_{GE(th)}$	$V_{GE}=V_{CE}, I_C=250\mu A$	4.5	-	6.5	V
Collector-Emitter Saturation Voltage	$V_{CE(sat)}$	$V_{GE}=15V, I_C=10A$ $T_j=25^\circ\text{C},$ $T_j=125^\circ\text{C}$	- -	1.8 2.0	2.1	V
Zero Gate Voltage Collector Current	I_{CES}	$V_{CE}=600V, V_{GE}=0V$ $T_j=25^\circ\text{C},$ $T_j=125^\circ\text{C}$	- -	- -	10 100	μA
Gate-Emitter Leakage Current	I_{GES}	$V_{CE}=0V, V_{GE}=\pm 25V$	-	-	200	nA
Input Capacitance	C_{ies}	$V_{CE}=25V, V_{GE}=0V,$ $f=1\text{MHz}$	-	369	-	pF
Output Capacitance	C_{oes}		-	37	-	
Reverse Transfer Capacitance	C_{res}		-	9.5	-	
Gate Charge	Q_G	$V_{CC}=300V, I_C=10A,$ $V_{GE}=15V$	-	15	-	nC
Gate-Emitter Charge	Q_{GE}		-	2.9	-	
Gate-Collector Charge	Q_{GC}		-	6.8	-	

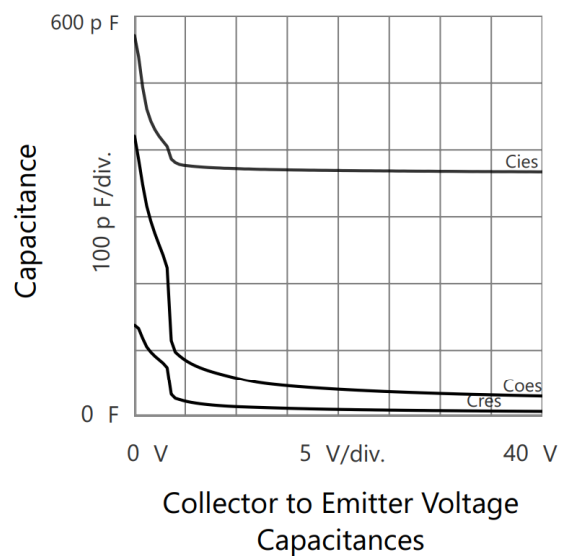
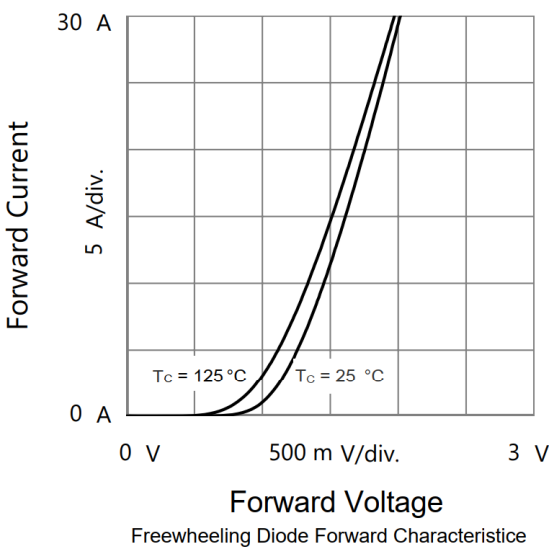
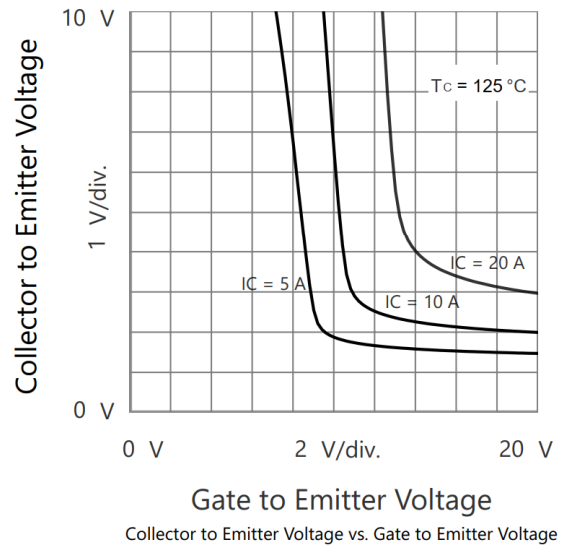
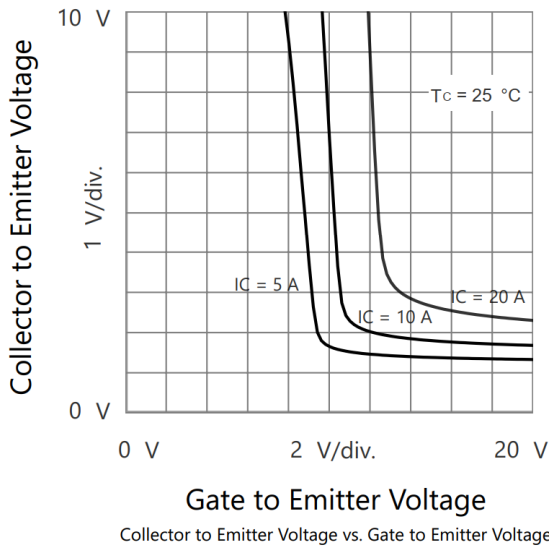
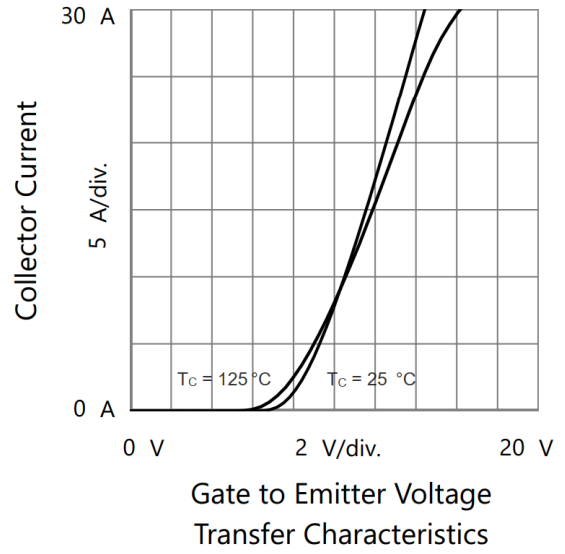
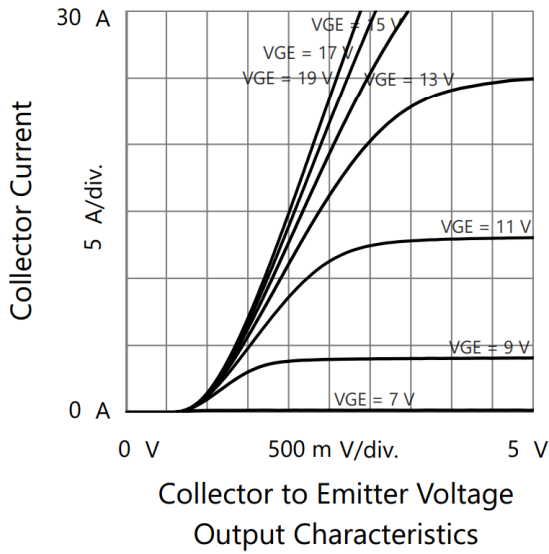
Switching Characteristic, Inductive Load ($T_j = 25^\circ\text{C}$ unless otherwise specified):

Parameter	Symbol	Conditions	Min.	Typ.	Max.	Unit
Turn-on Delay Time	$t_{d(on)}$	$V_{CC} = 400\text{V}$, $I_C = 10\text{A}$, $V_{GE} = 15\text{V}$ $R_g = 5\ \Omega$	-	14	-	ns
Rise Time	t_r		-	12	-	ns
Turn-on Energy	E_{on}		-	0.09	-	mJ
Turn-off Delay Time	$t_{d(off)}$		-	18	-	ns
Fall Time	t_f		-	82	-	ns
Turn-off Energy	E_{off}		-	0.21	-	mJ

Electrical Characteristics of the DIODE ($T_j = 25^\circ\text{C}$ unless otherwise specified):

Parameter	Symbol	Conditions	Min.	Typ.	Max.	Unit
Diode Forward Voltage	V_F	$I_F = 10\text{A}$	-	1.5	-	V
Reverse Recovery Time	T_{rr}	$I_F = 10\text{A}$, $di/dt = 200\text{A}/\mu\text{s}$	-	43	-	ns
Reverse Recovery Charge	Q_{rr}		-	40	-	nC

TYPICAL CHARACTERISTICS(25 °C, unless otherwise noted)



TYPICAL CHARACTERISTICS(25 °C, unless otherwise noted)

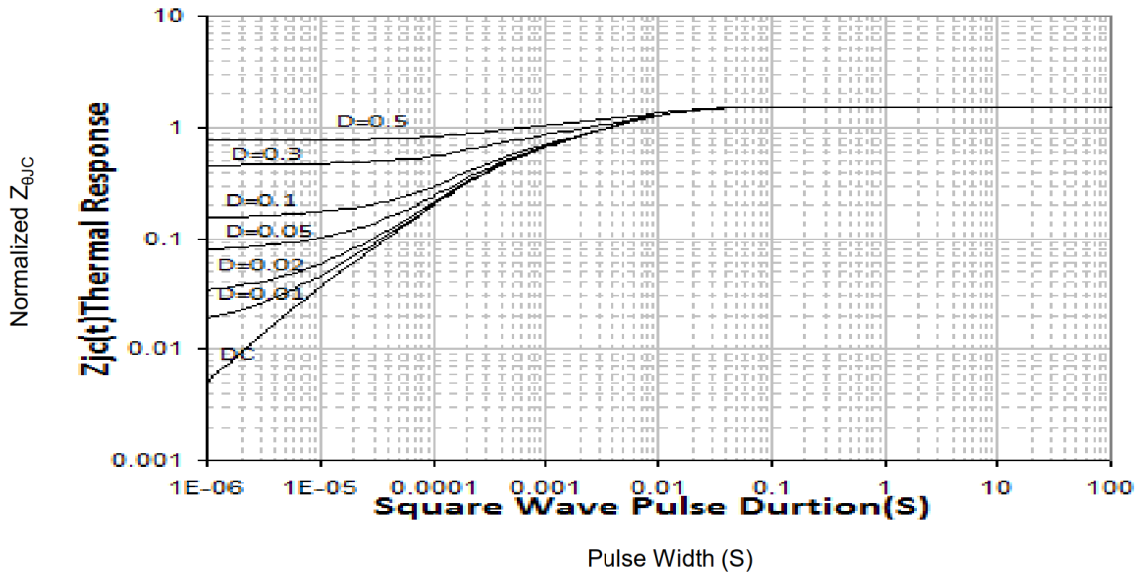
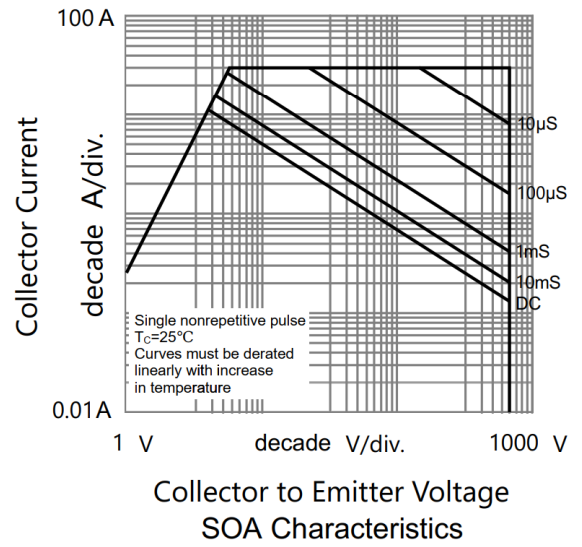
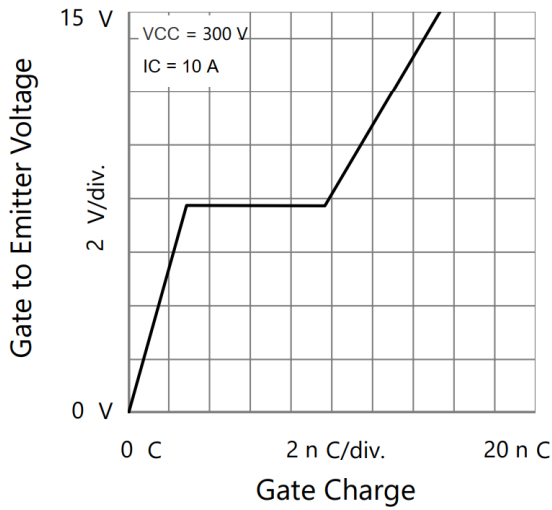
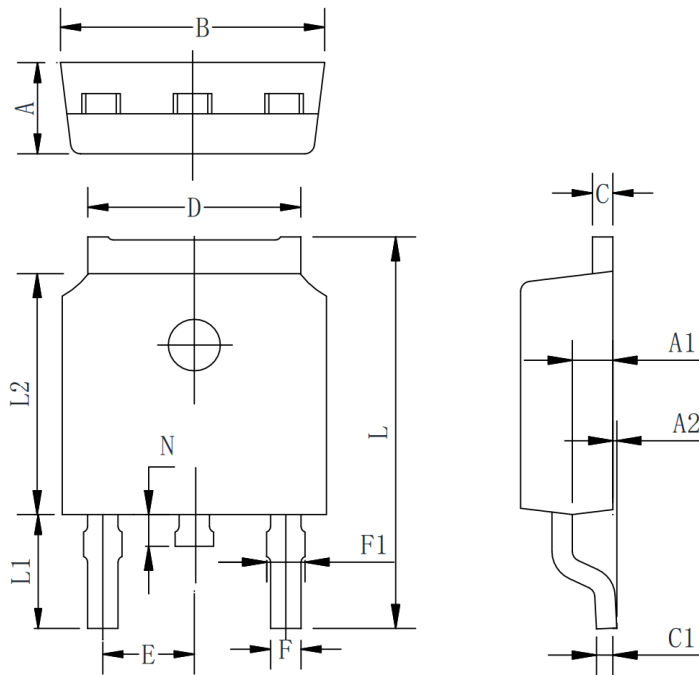


Figure 19: Normalized Maximum Diode Transient Thermal Impedance

TO-252-2L PACKAGE OUTLINE



COMMON DIMENSIONS
(UNITS OF MEASURE=MILLIMETER)

Symbol	Min	Typ	Max
A	2.10	2.30	2.50
A1	0.88	1.01	1.16
A2	0.00	0.15	0.28
B	6.40	6.60	6.80
C	0.42	0.50	0.63
C1	0.42	0.50	0.63
D	5.08	5.32	5.65
E	2.286 TYP		
F	0.63	0.76	0.89
F1	0.64	0.86	1.08
L	9.30	9.90	10.80
L1	2.4	2.8	3.6
L2	5.90	6.10	6.55
N	0.57	0.80	1.05

Disclaimer

ALL PRODUCT, PRODUCT SPECIFICATIONS AND DATA ARE SUBJECT TO CHANGE WITHOUT NOTICE TO IMPROVE RELIABILITY, FUNCTION OR DESIGN OR OTHERWISE.

Din-Tek Intertechnology, Inc., its affiliates, agents, and employees, and all persons acting on its or their behalf (collectively, "Din-Tek"), disclaim any and all liability for any errors, inaccuracies or incompleteness contained in any datasheet or in any other disclosure relating to any product.

Din-Tek makes no warranty, representation or guarantee regarding the suitability of the products for any particular purpose or the continuing production of any product. To the maximum extent permitted by applicable law, Din-Tek disclaims (i) any and all liability arising out of the application or use of any product, (ii) any and all liability, including without limitation special, consequential or incidental damages, and (iii) any and all implied warranties, including warranties of fitness for particular purpose, non-infringement and merchantability.

Statements regarding the suitability of products for certain types of applications are based on Din-Tek's knowledge of typical requirements that are often placed on Din-Tek products in generic applications. Such statements are not binding statements about the suitability of products for a particular application. It is the customer's responsibility to validate that a particular product with the properties described in the product specification is suitable for use in a particular application. Parameters provided in datasheets and/or specifications may vary in different applications and performance may vary over time. All operating parameters, including typical parameters, must be validated for each customer application by the customer's technical experts. Product specifications do not expand or otherwise modify Din-Tek's terms and conditions of purchase, including but not limited to the warranty expressed therein.

Except as expressly indicated in writing, Din-Tek products are not designed for use in medical, life-saving, or life-sustaining applications or for any other application in which the failure of the Din-Tek product could result in personal injury or death. Customers using or selling Din-Tek products not expressly indicated for use in such applications do so at their own risk. Please contact authorized Din-Tek personnel to obtain written terms and conditions regarding products designed for such applications.

No license, express or implied, by estoppel or otherwise, to any intellectual property rights is granted by this document or by any conduct of Din-Tek. Product names and markings noted herein may be trademarks of their respective owners.

Material Category Policy

Din-Tek Intertechnology, Inc. hereby certifies that all its products that are identified as RoHS-Compliant fulfill the definitions and restrictions defined under Directive 2011/65/EU of The European Parliament and of the Council of June 8, 2011 on the restriction of the use of certain hazardous substances in electrical and electronic equipment (EEE) - recast, unless otherwise specified as non-compliant.

Please note that some Din-Tek documentation may still make reference to RoHS Directive 2002/95/EC. We confirm that all the products identified as being compliant to Directive 2002/95/EC conform to Directive 2011/65/EU.

Din-Tek Intertechnology, Inc. hereby certifies that all its products that are identified as Halogen-Free follow Halogen-Free requirements as per JEDEC JS709A standards. Please note that some Din-Tek documentation may still make reference to the IEC 61249-2-21 definition. We confirm that all the products identified as being compliant to IEC 61249-2-21 conform to JEDEC JS709A standards.